

**ARCH**<sup>®</sup>  
MEDTORQUE

# Single-Procedure Torque-Limiting Drivers

ARCH-MedTorque's single-procedure torque-limiting drivers are the only drivers on the market to offer Torque-Shield™ with Torque-Alert™ as well as a ratcheting mechanism as standard features.\*

*\* Torque-Alert is only available on T-Handle and Offset T-Handle models. Torque-Shield is standard on all models*



## Torque-Shield™: Protecting From Use Beyond Calibration Lifecycle

The Torque-Shield™ cycle count system eliminates the possibility of using the driver beyond its calibration lifecycle by deactivating the drive mechanism after its final cycle has been reached.



## Torque-Alert™: The Industry's Only Torque Calibration Alert System

ARCH-MedTorque's intuitive Torque-Alert™ provides a visual cue to the status of the driver's calibration. As the driver approaches the limit of the calibration lifecycle, the Torque-Alert™ indicator changes to yellow. Upon activation of Torque-Shield™, the indicator turns red to show that the driver is no longer usable.

GREEN



Driver is within its calibration use limit.

YELLOW



Driver is within approximately 10 clicks of its calibration limit.

RED



Driver is past its calibration limit. Torque-Shield™ actuates and driver free spins.



## Ratcheting Drive Mechanism for Efficient Use

No need for an additional driver during preliminary tightening. The standard ratcheting mechanism eliminates the need to switch between a preliminary driver and a final torque-limiting driver.

**Drive Direction:** Torque-Limiting

**Reverse Direction:** Ratcheting

# How to Specify Your Single-Procedure Torque-Limiting Handle: When Ordering

ARCH-MedTorque's part-numbering scheme makes it easy to specify a single-use torque-limiting driver. Use the quick guide below to build the product you need. Illustration prints of catalog products are available upon request.

NOTE: For English units (in-lbs), use all three digits (XXX) for whole number torque value (no decimal).

For Metric units (Nm), use last digit for decimal value. See examples below.

**01** Select Torque Value to Obtain Model Number

Torque Value		Model #
English	Metric	
5 to 20 in-lbs	0.6 to 2.2Nm	6TLL
20 to 50 in-lbs	2.3 to 5.6 Nm	6TLM
50 to 90 in-lbs	5.7 to 10.1 Nm	6TLH
90 to 120 in-lbs	10.2 to 13.5Nm	6TLV

**02** Select Handle Style

Handle Style	ID
Offset T-Handle	L
T-Handle	T
Axial Handle	A
Palm Handle	P

**03** Select Coupling Type

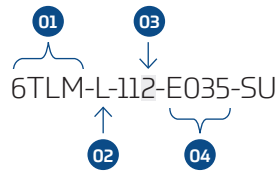
Coupling Type	ID
AO Coupling	1
1/4" SQ Coupling	2

**04** Define Torque Value

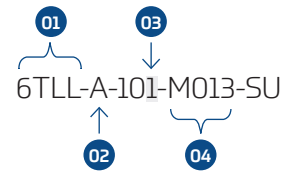
English Units: EXXX  
Metric Units: MXXX

## Examples:

35 in-lb, Offset T-Handle, 1/4" SQ Coupling



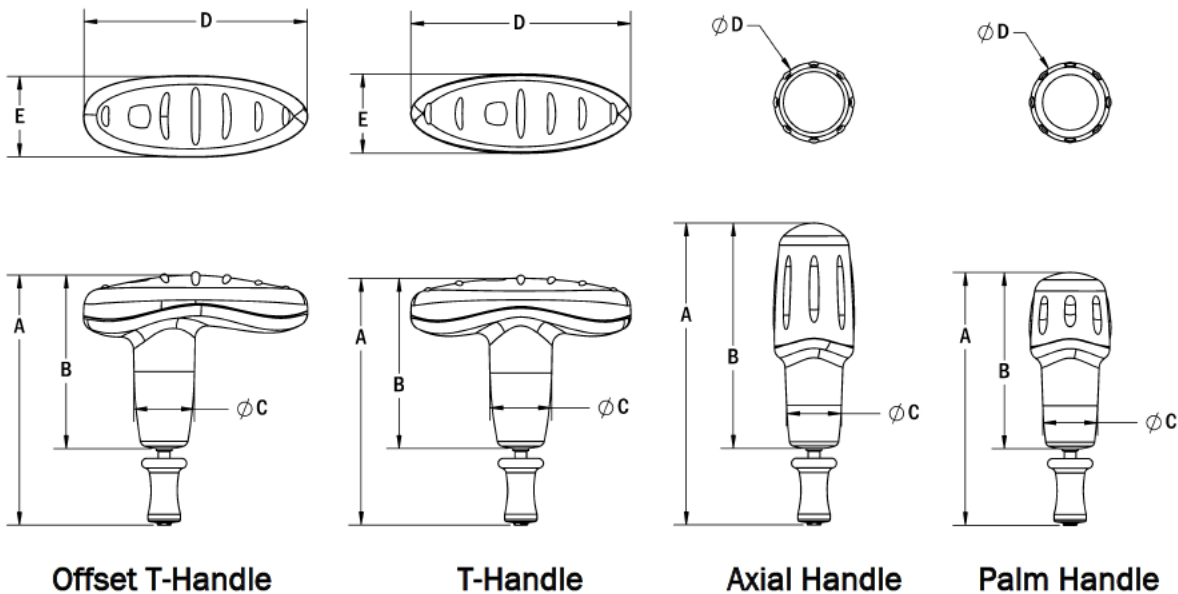
1.3Nm, Axial Handle, AO Coupling



Torque Value	Drive End	Offset T-Handle	T-Handle	Axial Handle	Palm Handle
5 to 20 in-lbs [0.6 to 2.2Nm]	AO Coupling	6TLL-L-111-XXXX-SU	6TLL-T-111-XXXX-SU	6TLL-A-101-XXXX-SU	6TLL-P-101-XXXX-SU
20 to 50 in-lbs [2.3 to 5.6 Nm]	AO Coupling	6TLM-L-111-XXXX-SU	6TLM-T-111-XXXX-SU	6TLM-A-101-XXXX-SU	6TLM-P-101-XXXX-SU
	1/4" SQ Coupling	6TLM-L-112-XXXX-SU	6TLM-T-112-XXXX-SU	6TLM-A-102-XXXX-SU	6TLM-P-102-XXXX-SU
50 to 90 in-lbs [5.7 to 10.1Nm]	1/4" SQ Coupling	6TLH-L-112-XXXX-SU	6TLH-T-112-XXXX-SU	N/A	N/A
90 to 120 in-lbs [10.2 to 13.5Nm]	1/4" SQ Coupling	6TLV-L-112-XXXX-SU	N/A	N/A	N/A

Part Number	Dim A	Dim B	Dim C	Dim D	Dim E
6TLL-L-111-XXXX-SU	4.6	3.1	1.1	3.7	1.6
6TLM-L-111-XXXX-SU	5.1	3.5	1.2	4.5	1.6
6TLM-L-112-XXXX-SU	4.7	3.5	1.2	4.5	1.6
6TLH-L-112-XXXX-SU	5.2	4.1	1.3	4.9	1.7
6TLV-L-112-XXXX-SU	5.9	4.8	1.3	4.9	1.7
6TLL-T-111-XXXX-SU	4.6	3.1	1.1	3.7	1.5
6TLM-T-111-XXXX-SU	5.0	3.5	1.2	4.4	1.6
6TLM-T-112-XXXX-SU	4.7	3.4	1.2	4.4	1.6
6TLH-T-112-XXXX-SU	5.2	4.1	1.3	4.9	1.6
6TLL-A-101-XXXX-SU	6.1	4.5	1.1	1.5	-
6TLM-A-101-XXXX-SU	6.1	4.5	1.1	1.6	-
6TLM-A-102-XXXX-SU	5.8	4.5	1.1	1.6	-
6TLL-P-101-XXXX-SU	5.1	3.5	1.1	1.5	-

Dimensions shown in inches are approximate and for reference only. Contact an ARCH-MedTorque representative for exact dimensions.



**ARCH**<sup>®</sup>  
MEDTORQUE

© 2023 ARCH-MedTorque, Inc. All rights reserved.  
Torque Shield & Torque Alert are trademarks of ARCH-MedTorque, Inc.  
Patents pending

ISO 13485:2016 Certified | FDA Registered

(844)MEDTORQ  
sales@medtorque.com  
**MedTorque.com**